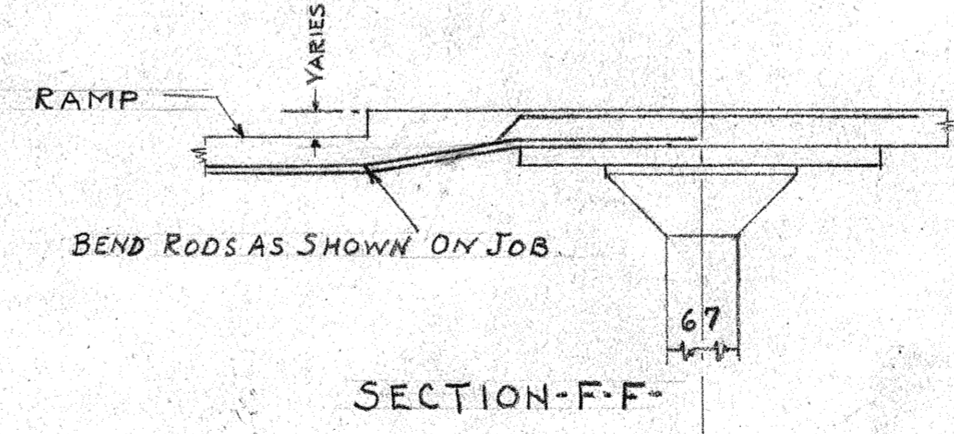
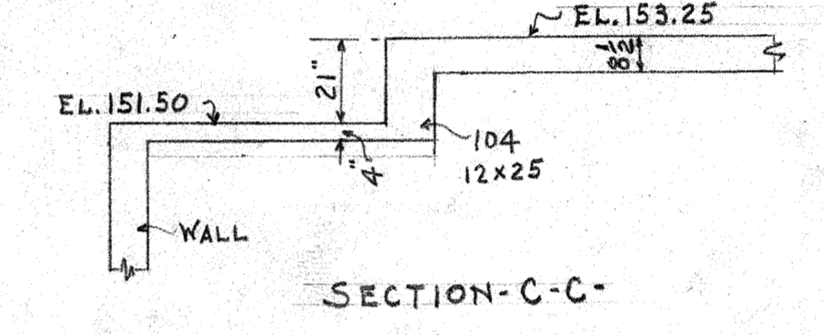
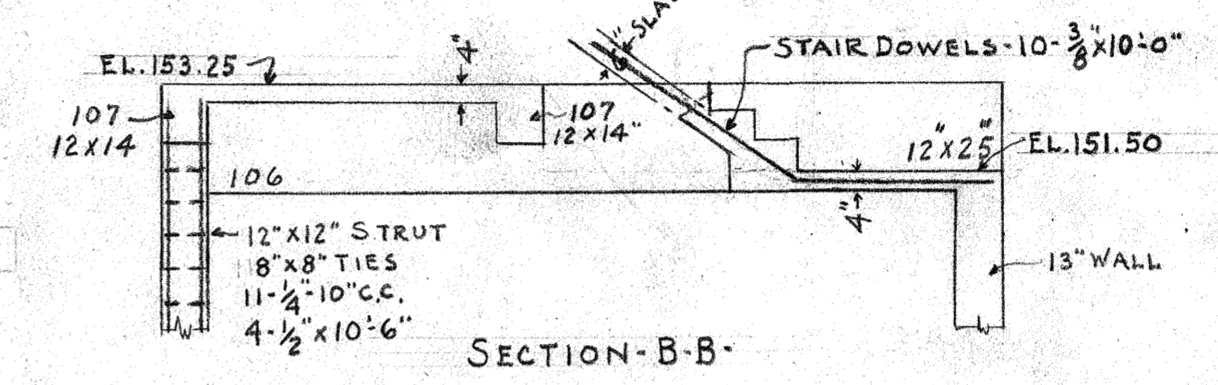
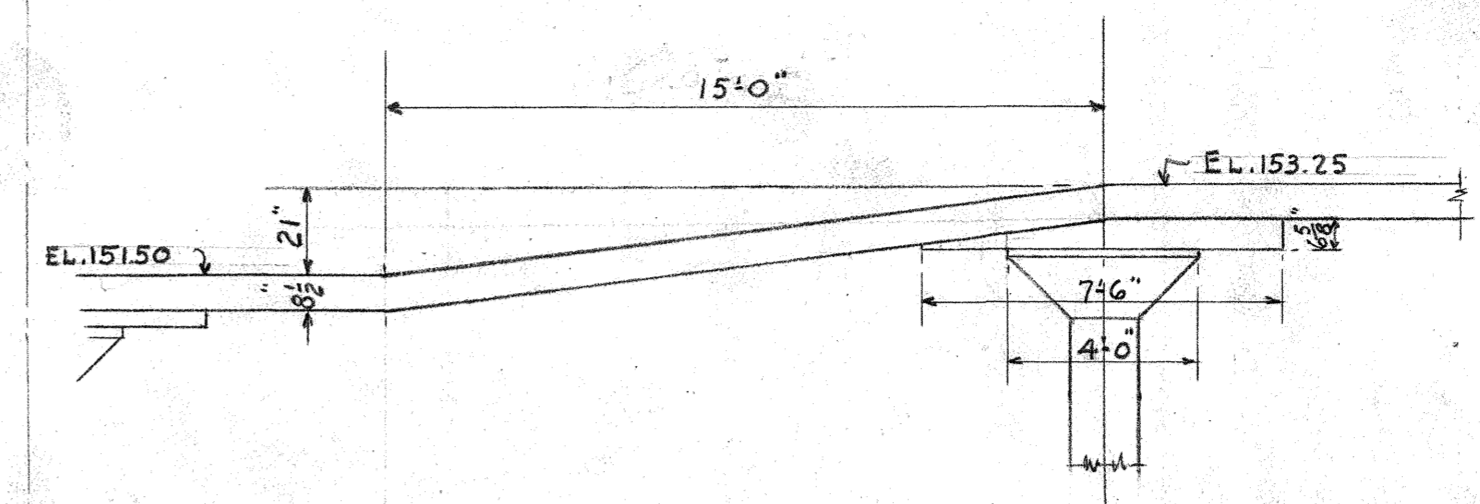


GARAGE FLOOR FRAMING PLAN  
SCALE - 1/8" = 1'-0"



SOLID SLAB SCHEDULE

MARK	SLAB DESIGN	BOTTOM	OUT TO OUT DIMENSION	OUT TO OUT DIMENSION		H	HMM	HMM
				H	HMM			
GFA	8 1/2" SOLID	3/4" x 21'-0"	6' 8"	7'-7"	9'	12'-0"		
GFB	"	3/8" x 21'-0"	6' 6"	7'-9"	9'	12'-0"		
GFC	"	3/4" x 35'-0"	6'	10'-4"	9'	10'-4"		
GFD	"	3/8" x 35'-0"	6'	10'-4"	9'	10'-4"		
GFE	"	3/8" x 30'-0"	6'	10'-5"	9'	5'-0"	8'	
GFF	"	3/8" x 29'-9"	6'	10'-4"	9'	15'-11"	9'	1'-6"
GFG	"	3/8" x 12'-0"						
GFH	"	3/8" x 15'-9"						
GFI	"	3/8" x 20'-3"						
GFK	"	3/8" x 23'-9"	6' 8"	5'-0"	9'	17'-4"		
GFL	"	3/8" x 34'-0"	6'	10'-1"	9'	12'-4"	9'	10'-1"
GFM	"	3/8" x 34'-0"	6'	10'-1"	9'	12'-4"	9'	10'-1"
GFN	"	3/8" x 23'-0"	6' 6"	1'-6"	9'	10'-6"	9'	9'-0"
GFO	"	3/8" x 14'-3"						
GFP	"	3/8" x 23'-0"	6' 6"	1'-6"	9'	10'-6"	9'	9'-0"
GFR	"	3/8" x 25'-3"	6'	9'-0"	9'	7'-9"	9'	7'-0"
GFS	"	3/8" x 25'-3"	6'	9'-0"	9'	7'-9"	9'	7'-0"
GFT	8" SOLID	5/8" x 20'-0"	5 1/2"	6'-6"	8'	10'-0"	8'	1'-6"
GFU	"	5/8" x 17'-3"						
GFI	8 1/2" SOLID	7/8" x 30'-0"	6'	10'-9"	9'	17'-0"		8'
GFV	8" SOLID	5/8" x 19'-6"	6' 8"	1'-6"	9'	12'-9"	9'	3'-1"

BEAM SCHEDULE

GARAGE FLOOR DESIGNATION	W	H	LONGITUDINAL REINFORCEMENT			OUT TO OUT DIMENSION	H	HMM	S	S	S	S	VERTICAL REINFORCEMENT	SPACING OF STIRRUP SETS
			TOP	BOTTOM	BENT									
1 101	12	24	2-1/2" x 25'9"	1-1/2" x 30'3"	19' 12"	2'-0"	2'-3"	12'-6"	2'-3"	10'-3"		9' 21"	3/8"	A B C C B A
1 102	12	24	2-1/2" x 12'6"	3-5/8" x 9'-0"								9' 21"	3/8"	C
1 103	8	23	2-5/8" x 17'-6"	1-1/2" x 22'-0"	23' 8"	2'-0"	2'-8"	7'-0"	2'-8"	7'-0"		5' 24"	3/8"	B
1 104	12	25	2-5/8" x 21'-6"	1-1/2" x 33'-0"	19'	10'-6"	2'-3"	7'-9"	2'-3"	10'-6"		9' 22"	3/8"	A B
1 105	12	25	2-5/8" x 14'-9"	1-1/2" x 19'-6"	19' 8"	2'-0"	2'-3"	5'-4"	2'-3"	7'-0"		9' 22"	3/8"	B
1 106	12	25	2-5/8" x 18'-6"	1-1/2" x 19'-9"	17'-2"	2'-0"	2'-4"	9'-9"	2'-4"	2'-0"	8'	9' 22"	3/8"	B
2 107	12	14	3-1/2" x 7'-0"	3-1/2" x 7'-0"								9' 11"	3/8"	C

NOTE  
ALL REINFORCEMENT BARS = ROUND DEFORMED EXCEPT AS OTHERWISE SHOWN.  
PROVIDE 1/4" - 18 C.C. TEMPERATURE BARS OVER & AT RIGHT ANGLES TO MAIN REINFORCEMENT IN ALL SLABS REINFORCED IN ONE DIRECTION ONLY.

FILE No. 3805 DATE 10-8-27  
DESIGNED BY AP, W.H.B.  
DRAWN BY W.S.H.  
CHECKED BY [Signature]  
REVISIONS Opening in Wall between col 19a 20 added 12-21-27 W.S.H.

THE VERSAILLES APARTMENTS  
FOR  
THE VERSAILLES BUILDING CO.  
S.W. COR. SKINKER & ROSEBURY AVES.  
ST. LOUIS, MISSOURI

PRESTON J. BRADSHAW  
ARCHITECT

BRUSSEL AND YITERBO  
ENGINEERS

JOB No. 428  
DATE  
REVISED  
SHEET No. [Signature]